

# HF-300AS-E/310AS-E, HF-350AS-E/360AS-E Legger Press & Utility Press

Standard press pursuing basic performance



[HF-300AS-E]  
Legger Press  
concentrated vacuum



[HF-360AS-E]  
Utility Press  
w/ fan motor

## Basic performance of the press machine

- Achieved high quality finishing with a high performance iron incubated by a long experience and technology.
- Efficient pressurizing system contributes to saving energy via restraining consumption of air and steam.
- Adopted a function capable of controlling steam and vacuum manually in addition to finishing method to control its process automatically by a timer.

## Models equipped with a fan motor (HF-350AS-E, HF-360AS-E)

- Given rich function as a finishing table as well with a jetting function of vacuum and steam available soon after stepping pedals.
- In addition, broadens finishing range with heat wind blowing up function getting available.
- Prepared models equipped with a fan motor for both a pants utility press and a utility press.

## Advanced design together with durability

- Achieved a long life with fusion between simple neat design and robust structure.
- Possible for anyone to replace a pad & cover and an airbag easily and quickly.
- Equipped with an iron table capable of being moved to an arbitrary place.

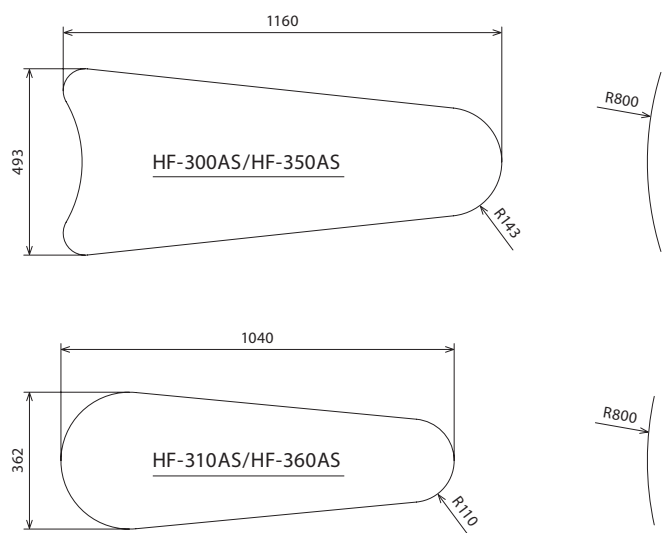
# MAJOR SPECIFICATION

Helps you with function as an iron table and a powerful press.

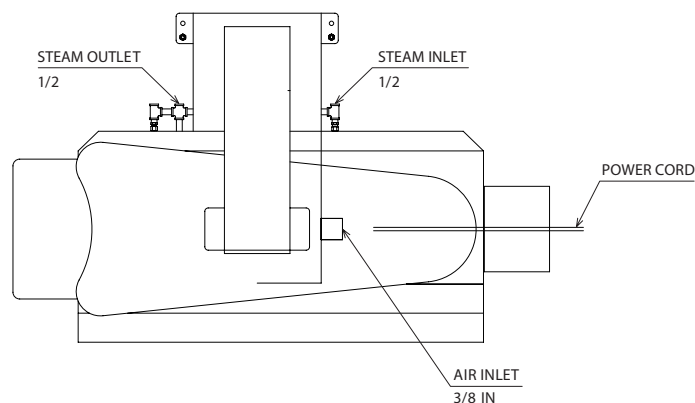
Model No.	HF-300AS-E	HF-350AS-E	HF-310AS-E	HF-360AS-E	
Model name	Pants and utility press, utility press	Pants and utility press, utility press	Pants and utility press, utility press	Pants and utility press, utility press	
Power supply	3-phase AC400V	3-phase AC400V	3-phase AC400V	3-phase AC400V	
	Frequency	50Hz	50Hz	50Hz	
	Apparent Power	—	1.51kVA	—	1.51kVA
	Drinving power	—	—	—	—
	Blower	—	0.75kW	—	0.75kW
Steam	Standard Pressure	0.5MPa	0.5MPa	0.5MPa	
	Consumption	25kg/h	25kg/h	25kg/h	25kg/h
	Inlet	1/2"	1/2"	1/2"	1/2"
	Outlet	1/2"	1/2"	1/2"	1/2"
Air	Compressor	1/2HP	1/2HP	1/2HP	
	Pressusre	0.5MPa	0.5MPa	0.5MPa	0.5MPa
	Inlet	3/8"	3/8"	3/8"	3/8"
Mechanical	Width (Max)	1258 (1658) mm	1258 (1658) mm	1200 (1395) mm	1222 (1418) mm
	Depth (Max)	994 (1009) mm	1032 (1048) mm	994 (1009) mm	1032 (1048) mm
	Height	1549 mm	1549 mm	1549 mm	1549 mm
Lower iron	Width (Max)	1140 mm	1140 mm	1020 mm	1020 mm
	Depth	474 mm	474 mm	340 mm	340 mm
	Height of Lower iron	1020 mm	1020 mm	1020 mm	1020 mm
Weight	270kg	310kg	260kg	300kg	

\*Specification set forth on this catalogue is subject to change without prior notice.

[The diffrence of an iron]



[Space to place]



ITSUMI SEISAKUSHO CO., LTD.

3670 KASAHATA KAWAGOE CITY SAITAMA 350-1175 JAPAN TEL: +81-49-231-1799 FAX: +81-49-231-9079

e-mail: info@itsumi.co.jp <http://www.itsumi.co.jp>